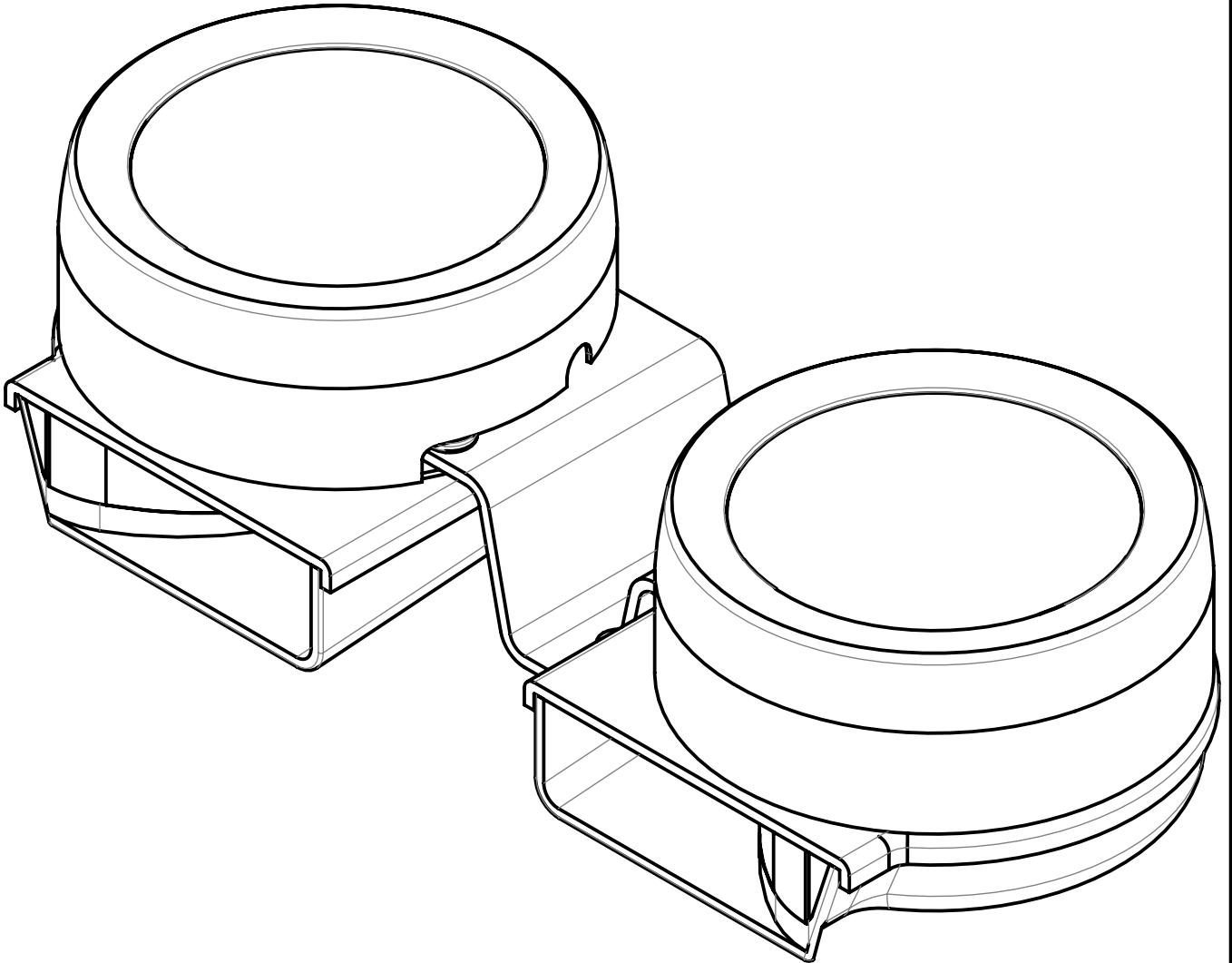


Horn double tone 12V compact

MAIN PRODUCT MATERIALS:

- STAINLESS STEEL AISI 304 HORN COVER AND BRACKET;
- SYNTHETIC BLACK HORN BODY;



Model:	# of horns	Consumption (A)	Pitch	Volume dB @2mtr (@1mtr)
C12D	Double	4	High + Low	115 (119)



Overall Dimensions

13-5693

C12D

Horn double tone 12V compact

