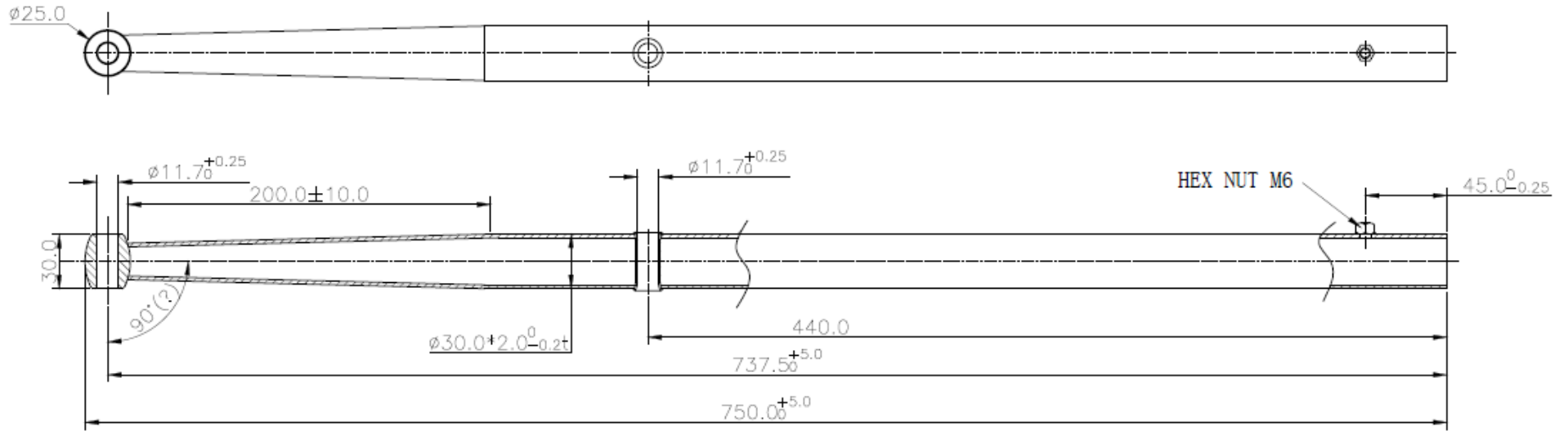
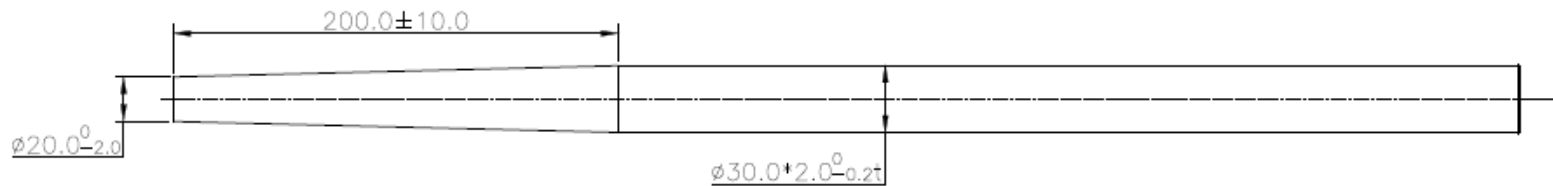


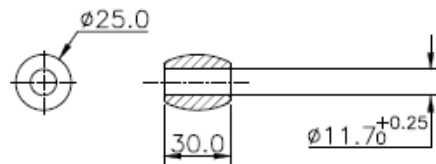
For your approved



PART 1



PART 2



Unless otherwise specified, tolerances are:

1. Wall Thickness = $\pm 5\%$
2. Angles = $\pm 2^\circ$
3. Profile dimensions fit : ISO JS13

★ INDICATES "CRITICAL TO QUALITY" DIMENSION
REMOVE BURRS AND SHARP CORNERS 0.10-0.25

STANCHION

Drawn: LP	Date: 16.10.28	M'TL: SUS316		Scale:	DWG. NO.:	Edition: AO
Checked:	Date:	Weight: g	Dimensions: M/M			
Approved:	Date:	Finish: POLISHED	SHEET OF	Customer's No.: 41.177.02		

Ecn	Revisions	Description	Date	Revised