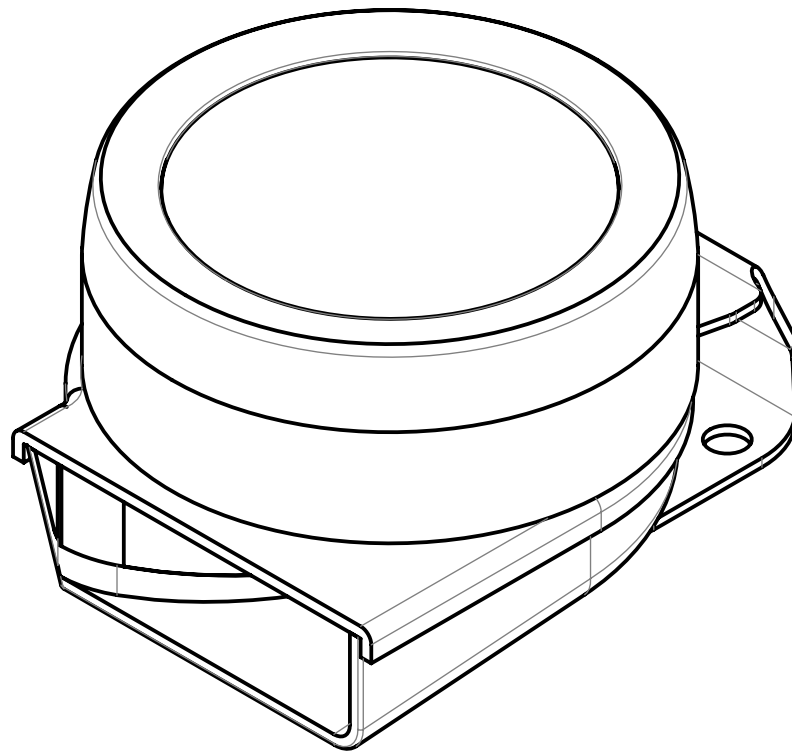




## Horn single 12V low tone compact

MAIN PRODUCT MATERIALS:

- STAINLESS STEEL AISI 304 HORN COVER AND BRACKET;
- SYNTHETIC BLACK HORN BODY.



Model:	# of horns	Consumption (A)	Pitch	Volume dB @2mtr (@1mtr)
C12L	Single	2	Low	115 (119)



# Overall Dimensions

13-5736

C12L

## Horn single 12V low tone compact

