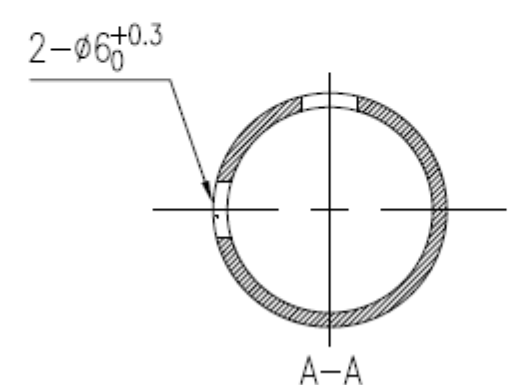
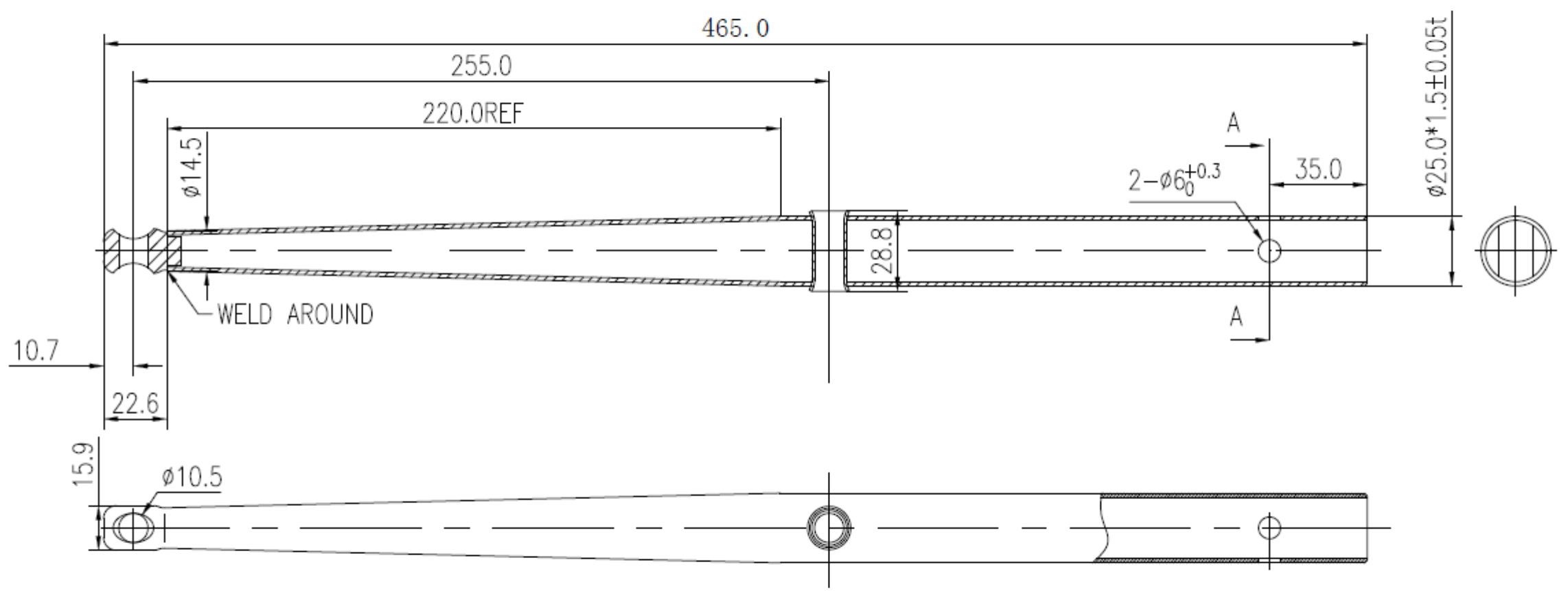


| REVISIONS | | | | |
|-----------|-----|-------------|------|----------|
| ZONE | LTR | DESCRIPTION | DATE | APPROVED |
| | | | | |



UNLESS OTHERWISE SPECIFIED:
DIMENSION ARE IN m/m
DO NOT SCALE DRAWING

STANCHION

| | | | | | |
|------------|-----|-------|--------------|----------|---------|
| DRAWN | C.L | DATE | 2004.10.23 | | |
| CHECKED | | M' TL | SUS316 | Q' TY | |
| APPROVED | | W. T. | g | FINISH | |
| PROJECTION | | SCALE | RELEASE DATE | DWG NO. | EDITION |
| | | | | 02944SA0 | A3 |
| | | | | SHEET | OF |

P/N:4117439