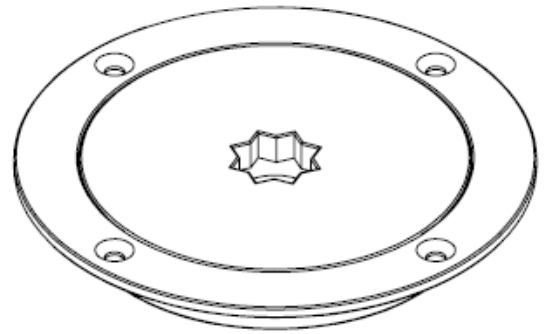
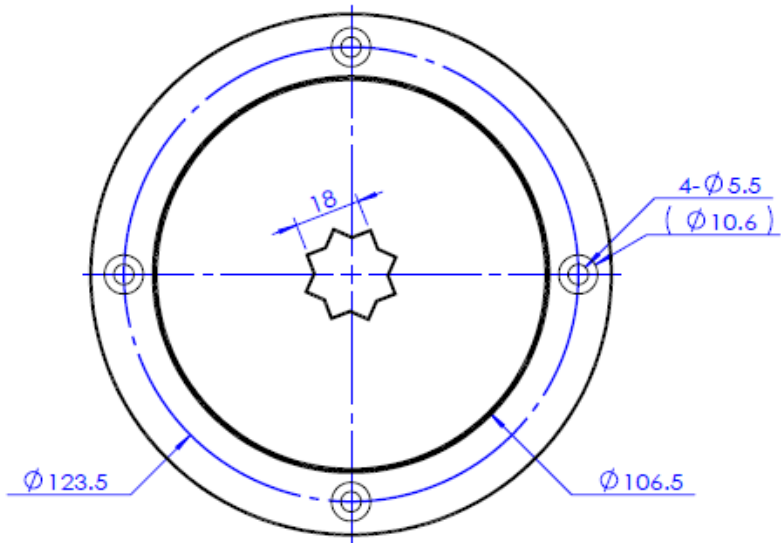
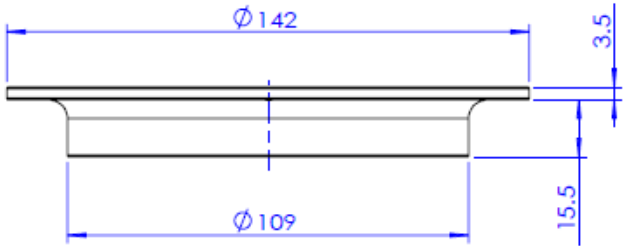


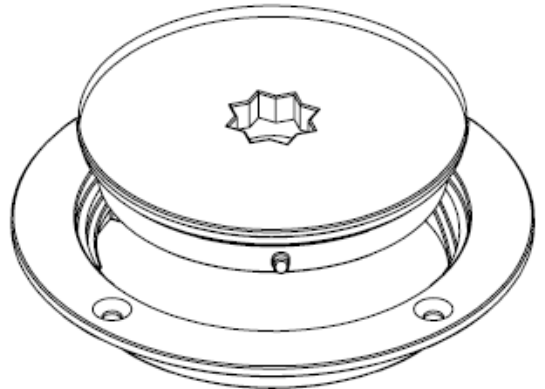
REVISIONS				
REV.	DESCRIPTION	BY	DATE	APPD.



CLOSE



Cut out Hole = 110 mm



OPEN

DIMENSIONS ARE IN MM		NAME	DATE	PART NO.	REV.
TOLERANCES: ± 0.5 ONE PLACE DECIMAL ± 0.1		DRAWN	CHECKED		
SIZE A4	DO NOT SCALE DRAWING	A4 SCALE 1:2	MATERIAL :	列印日期: 2017/1/10 DWG NAME :	