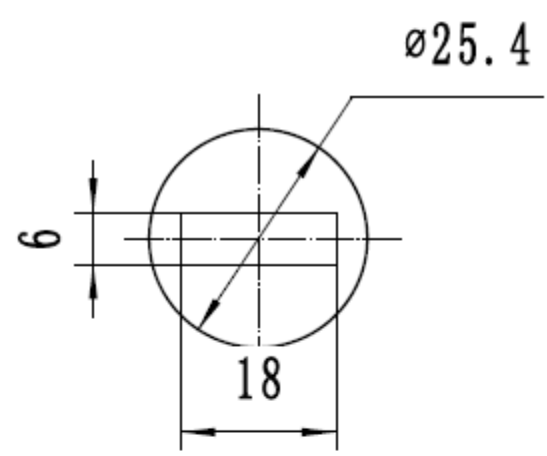
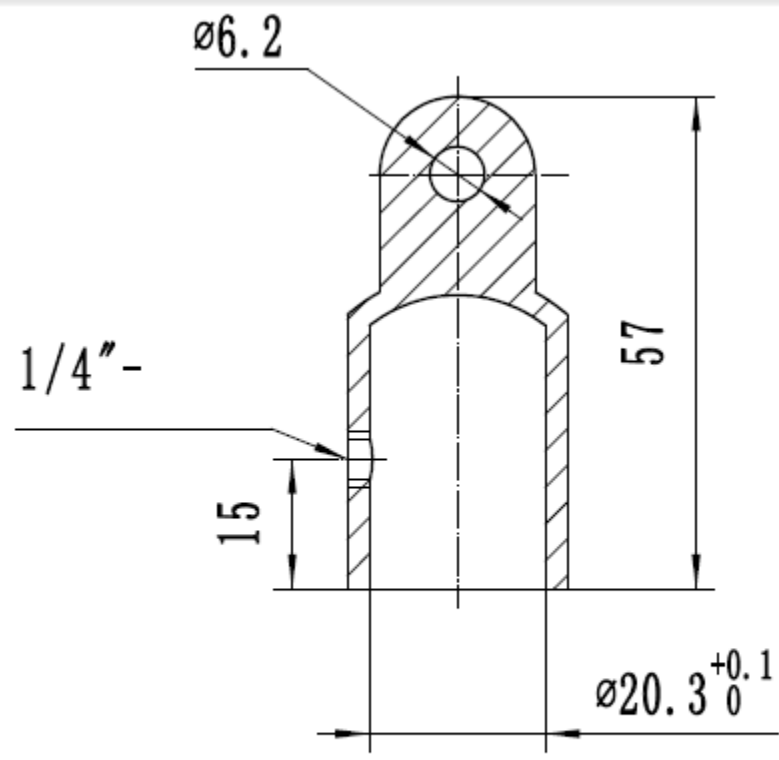


46.660.00



316