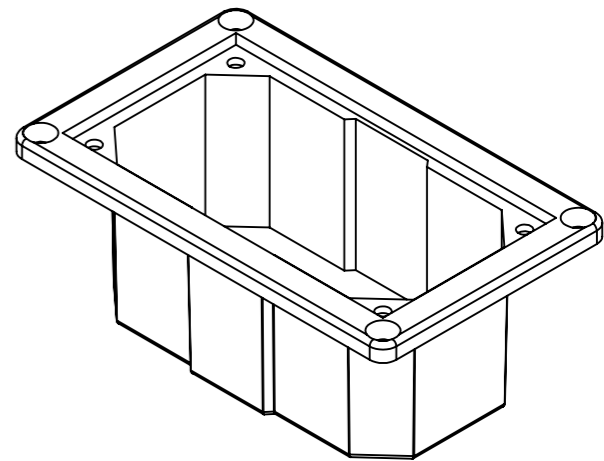
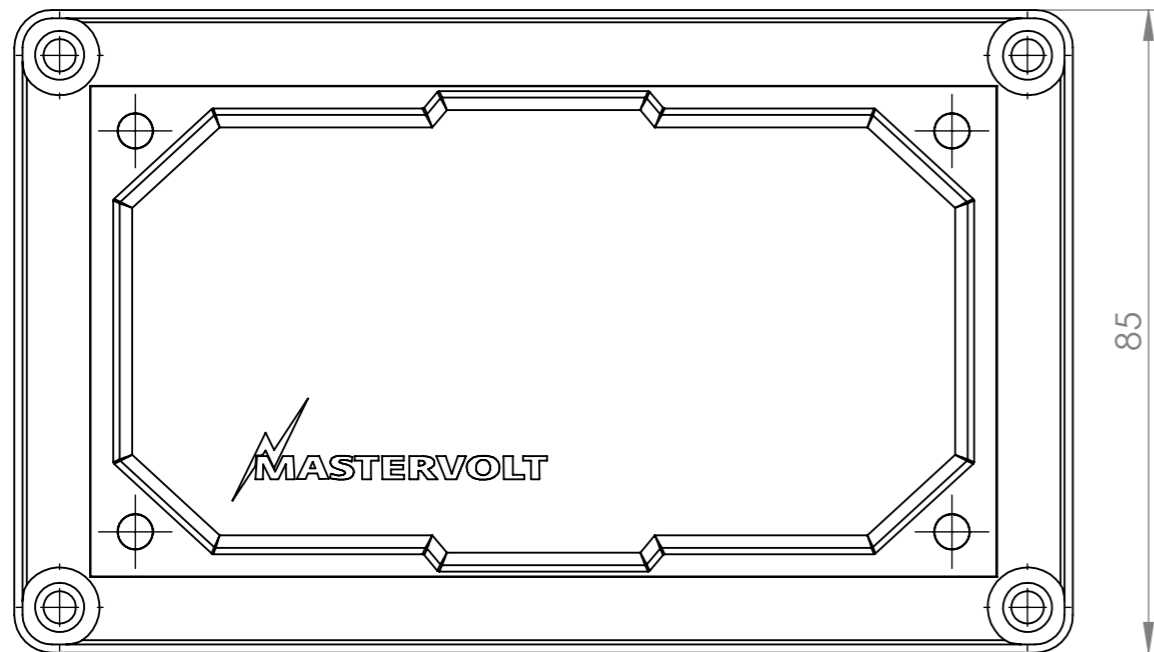
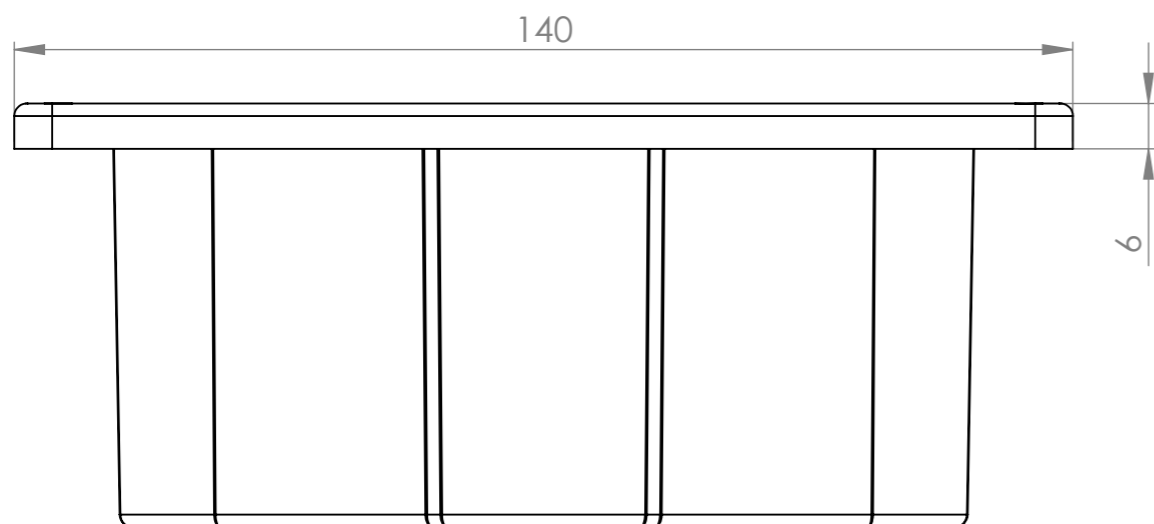
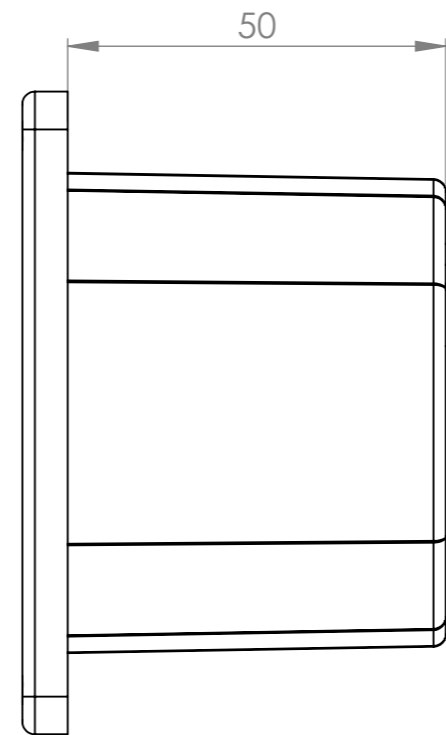
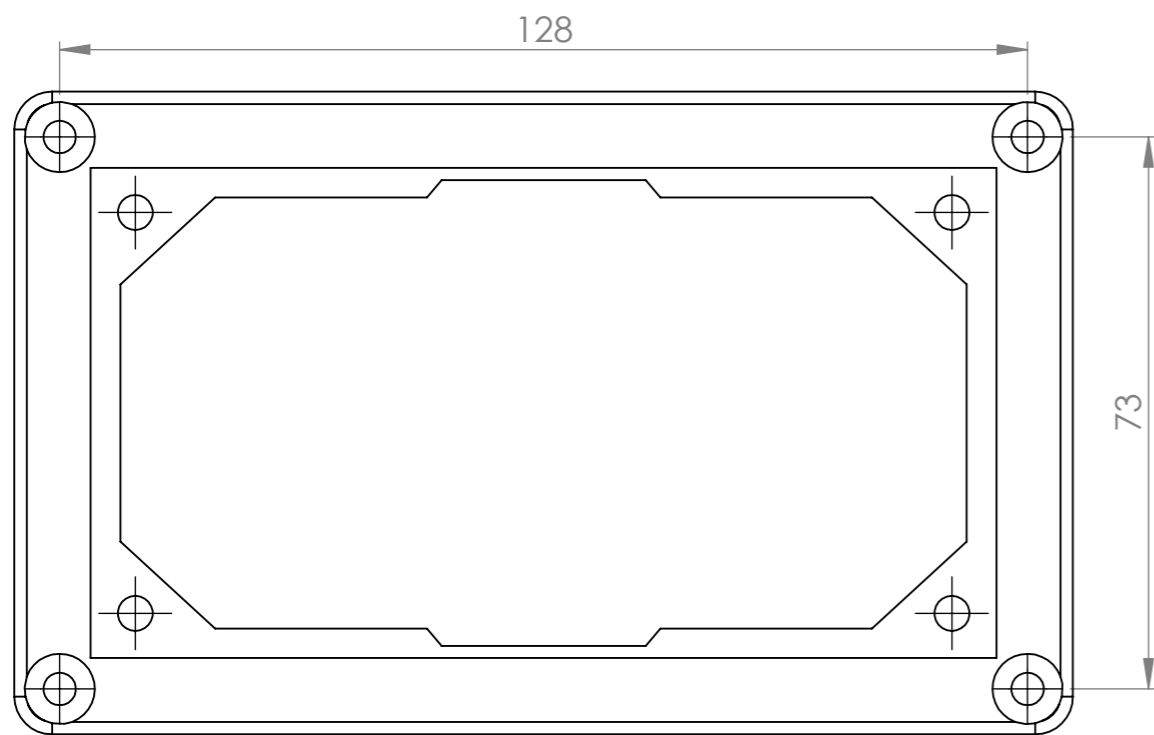



REVISIONS				
ZONE	REV.	DESCRIPTION	DATE	APPROVED



Scale 1:2



Unless otherwise specified. Dimensions are in mm Tolerances: - Linear: ± 0.2mm - Angular: ± 0.5°		Finish:	Debur and break sharp edges.	Status:	Revision 0
<i>DO NOT SCALE DRAWING</i>				Title <b>Panel cover large</b>	
Drawn	H. F. Dekker	Signature	Date	Dwg. nr. <b>M2762-0</b>	Delta Part No.:
Chk'd			20090513	Project:	
Appr'd					
Mfg					
Q.A					
			Material:	<b>A3</b>	
			Weight:		