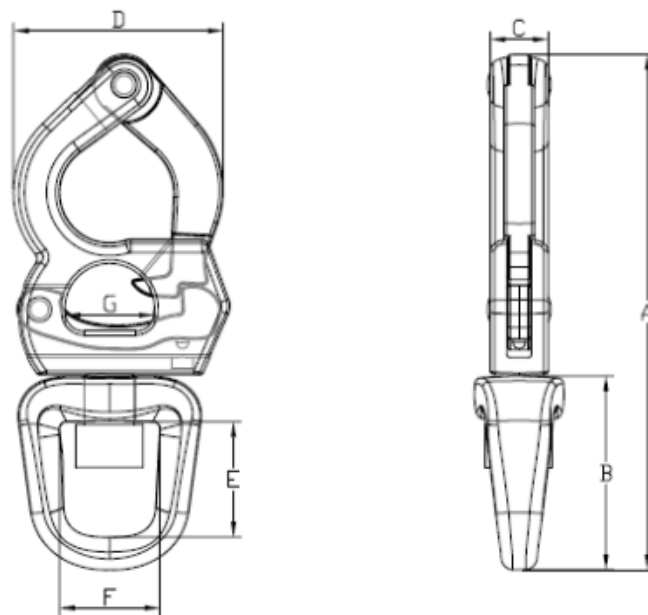


GENERAL TOLERANCE					
LINEAR			ANGULAR		
0.5-3	>3-6	>6-30	≤10	>10-50	>50-120
±0.2	±0.3	±0.5	±8"	±2"	±1"
>30-120	>120-400	>400-1000	>120-400	>400	
±0.8	±1.2	±2	±0.5°	±0.5°	

REV.	ZONE	DESCRIPTIONS	DWN BY	DATE



ITEM	A mm	B mm	C mm	D mm	E mm	F mm	G mm	WLL
09.855.01	83.53	31.42	9.40	34.00	18.70	16.29	14.50	106 kgs
09.855.02	103.48	38.90	11.50	41.18	23.40	19.63	17.66	320 kgs
09.855.03	125.90	47.50	14.20	50.80	28.85	24.42	21.61	580 kgs

CLIENT:	MODEL NO:	MATERIAL: AISI 316/304	
PART NAME:	PART NO:	CALCULATED WEIGHT: (g)	
	TREATMENT:	QTY:	PROJECTION:
	DRAWING: YAN	DATE: 2016/04/06	REVISION: 01
	CHKD:	DATE:	SCALE:
	APP:	DATE:	FINISH:
			UNIT: MM
			PAGE OF
			SIZE: A4