

SPECIFICATION

- Power handling: RMS 15W, MAX 30W
- Average sensitivity: 87 ± 2 dB 1W/1m
- Maximum SPL 1m: 99 ± 2 dB/15W
- Frequency response: 70 Hz ~ 15 kHz
- Operating temperature: $-20^{\circ}\text{C} \sim 100^{\circ}\text{C}$
- Impedance: 4 ohms
- Weight: 300g

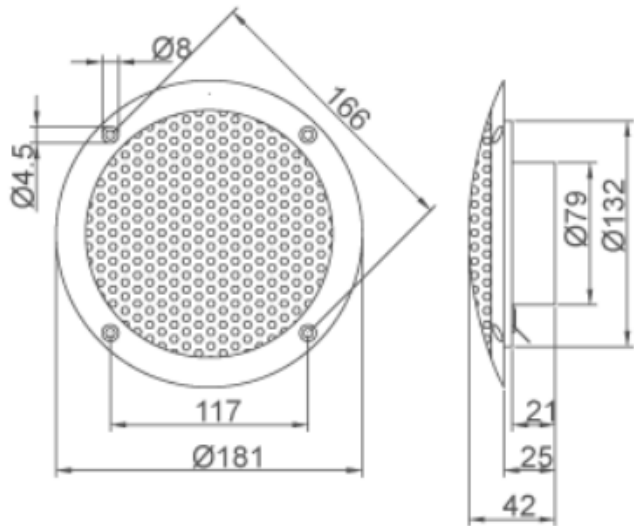
IP65
International
Protection Rating

**D4329
D2244**
ASTM
UV Stabilised

B117
ASTM
Saltwater Spray

**IEC
268-5**
Loudspeaker
Measurement

RoHS
Confirmed



6" Full Range Speaker