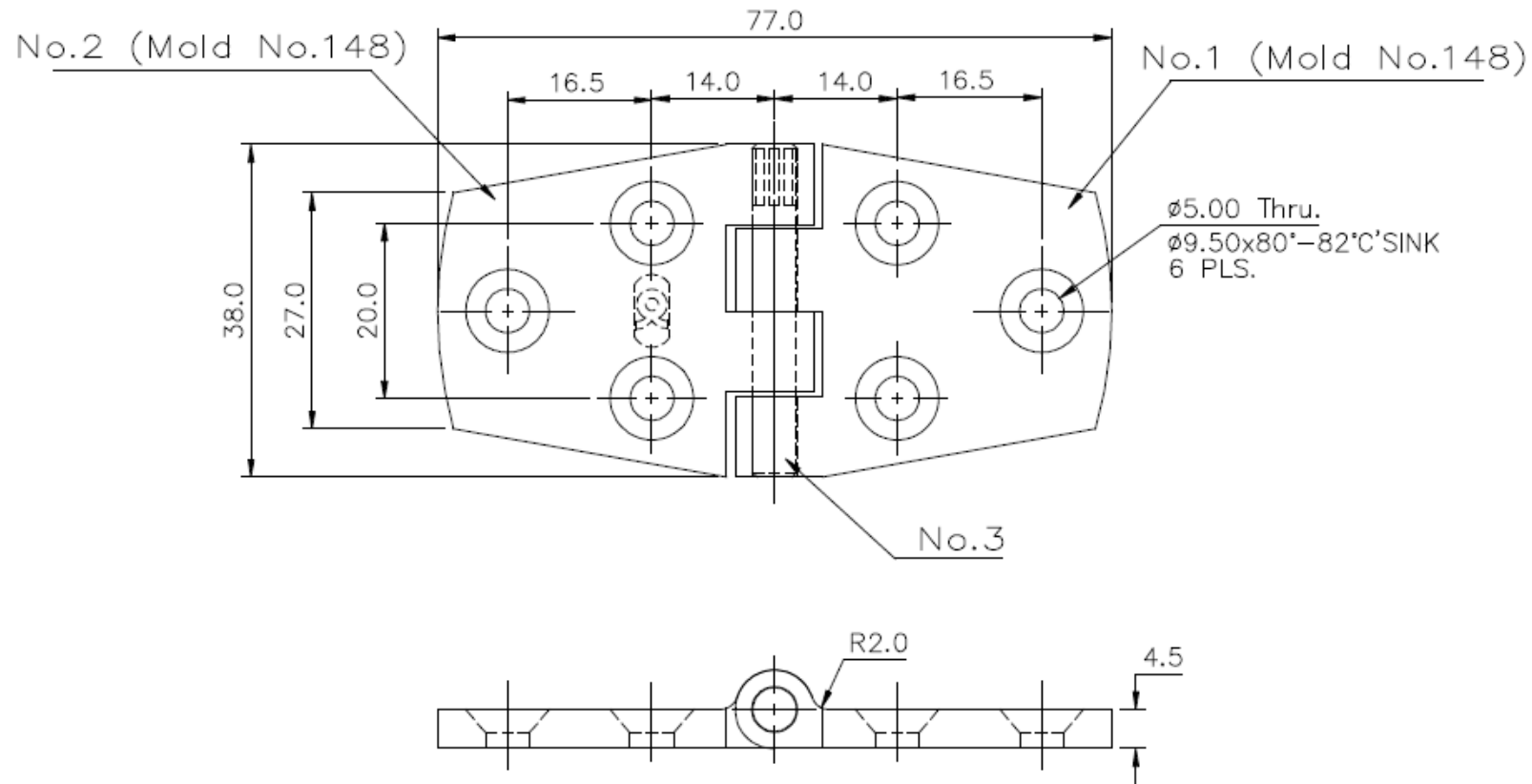


REV.	DESCRIPTION	DATE	DWG. BY	DATE	CHECK BY
A1	ADD WELD No.	17 MAR 2004	ABMAL		
A2	MODIFY DRAWING	22 DEC 2008	Susmit D.		
A3	CHANGE POSITION LOGO FOLLOW PRODUCT AT PART 2	30 SEP 2009	Arindam N.		



**NOTE :**

1. BREAK ALL SHARP EDGES
2. POLISH FINISH

ITEM	DWG NO.	TITLE	MATERIAL	QUANTITY
1	86028-01	OFFSET HINGE	316	1
2	86028-02	OFFSET HINGE	316	1
3	A41000538	PIN ø5.0x38.0L	304	1

TOLERANCE	DATE :
☑ 0.X ± 0.26	APPROVED BY :
☑ 0.XX ± 0.13	DATE :
☑ 0.XXX ±	SCALE : N.T.S.
☑ ANGULAR ± 0'30"	

DRAWING BY : KANOKPHUN		TITLE :			
DATE : 03 AUG 2000		OFFSET HINGE			
CHECKED BY :		CUSTOMER :			
DATE :					
APPROVED BY :		REVISION	MOLD No.	MATERIAL	WEIGHT
DATE :		A.3			
SCALE : N.T.S.		DWG. No. :			SHEET
					4 : 4