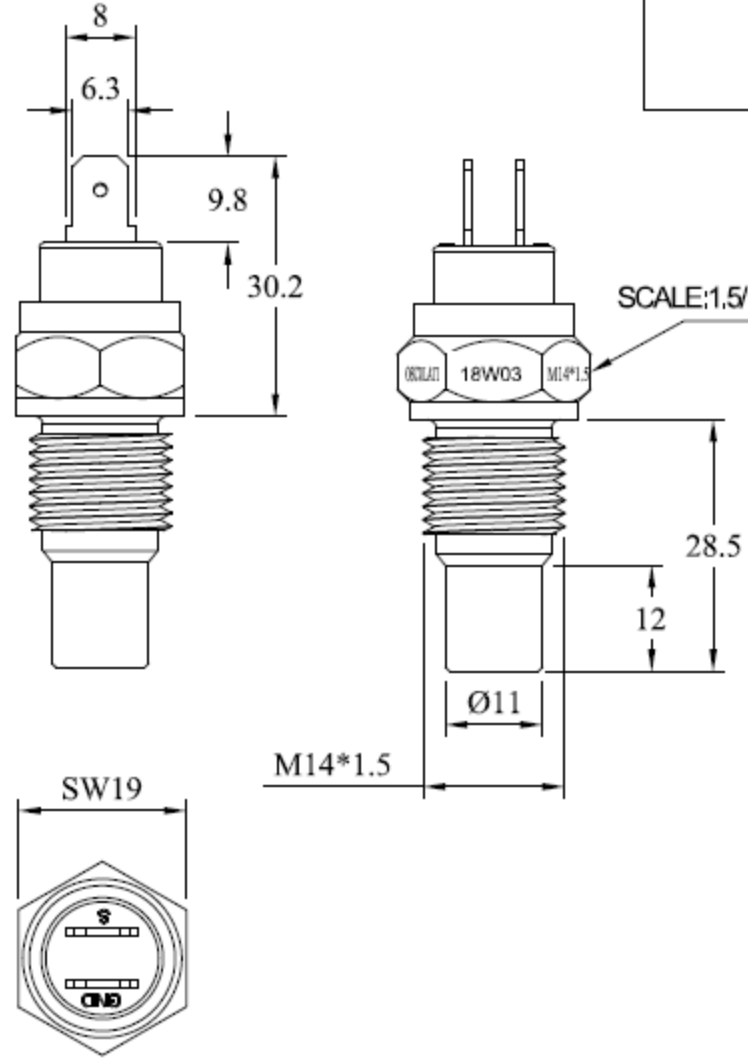


CONFIDENTIAL

ISSUE	DATE	ZONE	REVISION HISTORY	DRAW
01	Jan.16,2018		New drawing	



SCALE:1.5/1 OSCULATI 18W03 M14*1.5

NTC Thermistor (For oil)
 - Resistance at +25°C : 990.2ohm ±5%
 - Beta value : 3930 K ±1.5%

Resistance parameters for temperature sensor

Oil temperature	Temperature °C	50	60	70	80	90	100
	Ohm	361.8	250.7	177.9	128.2	94.02	70
	Temperature °C	110	120	130	140	150	
	Ohm	52.96	40.55	31.44	24.69	19.58	

TOLERANCE CLASS	FROM 0.5 UP TO 3	OVER 3 UP TO 6	OVER 6 UP TO 30	OVER 30 UP TO 120	OVER 120 UP TO 400	OVER 400 UP TO 1000
ISO 2768M	±0.1	±0.1	±0.2	±0.3	±0.5	±0.8

MATERIAL:		COLOUR:	PROJECT: TEMP SENSOR	
ENGINEERED:		Jan.16,2018	PART NAME: OIL TEMP SENSOR	
CHECKED:			DRAWING NO:	ISSUE: 01
APPROVED:				
PROJECTION		CUSTOMER NO:		
SCALE: 1:1	SIZE: A4	UNIT: mm	SHEET NO: 1 OF 1	