

1 2 3 4

REVISIONS				
ZONE	REV.	DESCRIPTION	DATE	APPROVED
	01	Changed pole position on the case	08-2019	

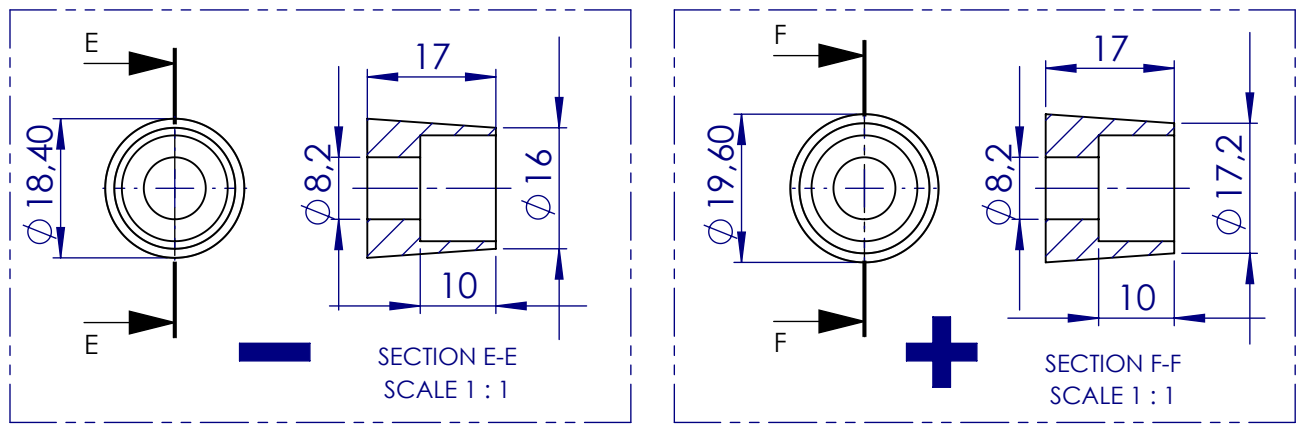
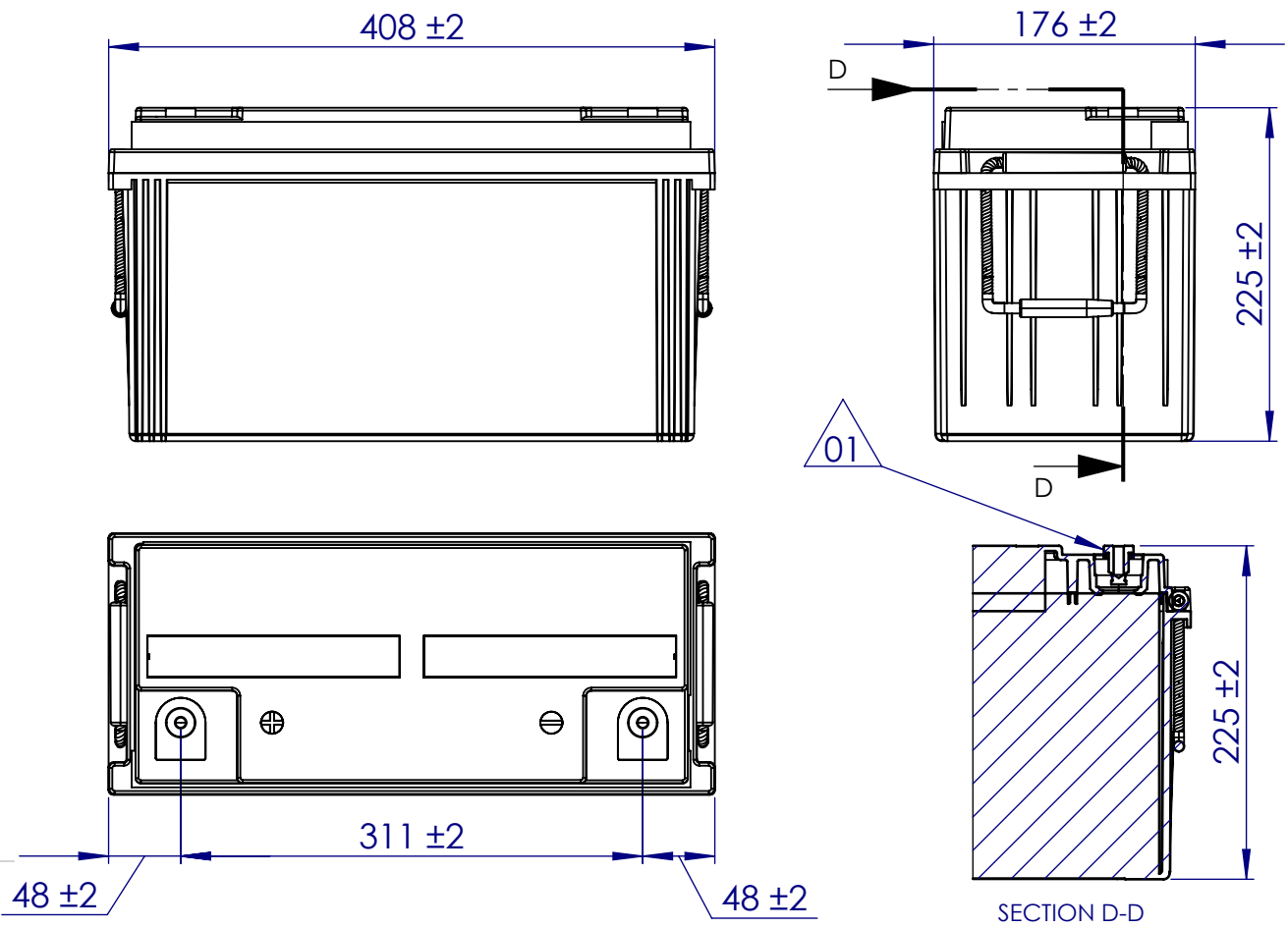
A

B

C

D

E



Both terminals come with M8x20 inner hex. RVS bolt.

Unless otherwise specified. Dimensions are in mm
Tolerances:
- Linear: ± 0.2mm
- Angular: ± 0.5°

Finish

Debur and break sharp edges.

DO NOT SCALE DRAWING Revision: 01

Title: AGM 12/130

Name	Signature	Date
Drawn H. F. Dekker		2019.08.14
Chk'd		
App'd		
Mfg		
Q.A		

Dwg. No.: 10000011982

Project:



Copyright by Mastervolt BV No part of this drawing may be reproduced or distributed in any form or by any means, or stored in a data base or retrieval system without the prior written permission of Mastervolt.

SCALE: 1:5 SHEET 1 OF 1