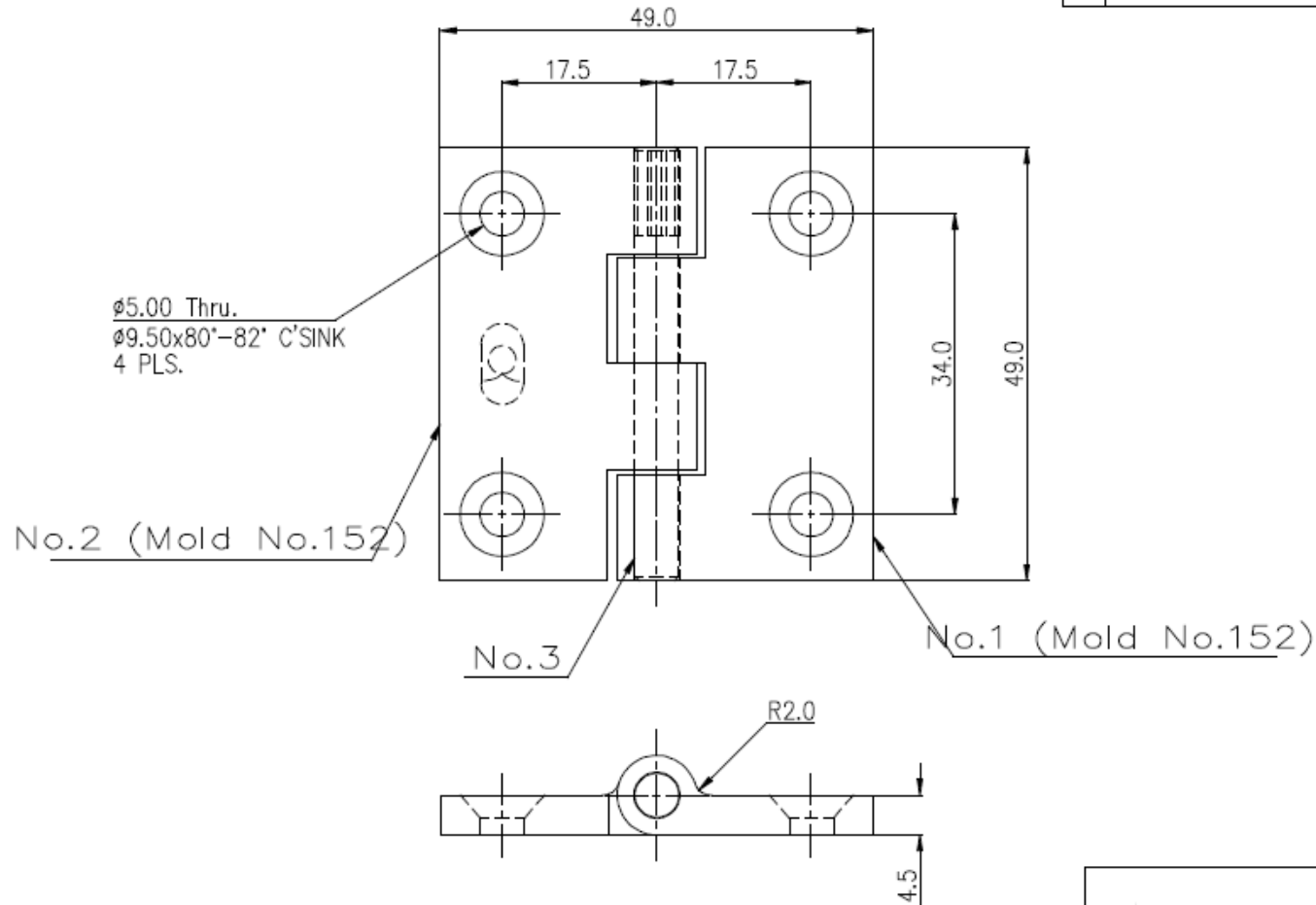


REV.	DESCRIPTION	DATE	DWG. BY
A.2	ROTATE LOGO PART No.2	17 JAN 2005	Suttak.P
A.3	CHANGE DIMENSION PART 1, 2, 3	08 MAR 2006	Pateam.N
A.4	UPDATE DRAWING CHANGE DIMENSION AT PART 1, 2	11 AUG 2010	Komate.N



NOTE :

1. BREAK ALL SHARP EDGES
2. POLISH FINISH

No.	DWG No.	TITLE	MATERIAL	QUANTITY
1	86164-01	BUTT HINGE	316	1
2	86164-02	BUTT HINGE	316	1
3	A41000549	PIN	304	1

DRAWING BY : KANOKPHUN		TITLE :		
DATE : 19 AUG 2000				
TOLERANCE		CHECKED BY :	CUSTOMER :	
<input checked="" type="checkbox"/> 0	±	DATE :		
<input checked="" type="checkbox"/> 0.X	± 0.26	APPROVED BY :	REVISION	MOLD No.
<input checked="" type="checkbox"/> 0.XX	± 0.13	DATE :	A.4	
<input checked="" type="checkbox"/> 0.XXX	±	SCALE : N.T.S.	DWG. No. :	REF. No. :
<input checked="" type="checkbox"/> ANGULAR	± 0'30'			